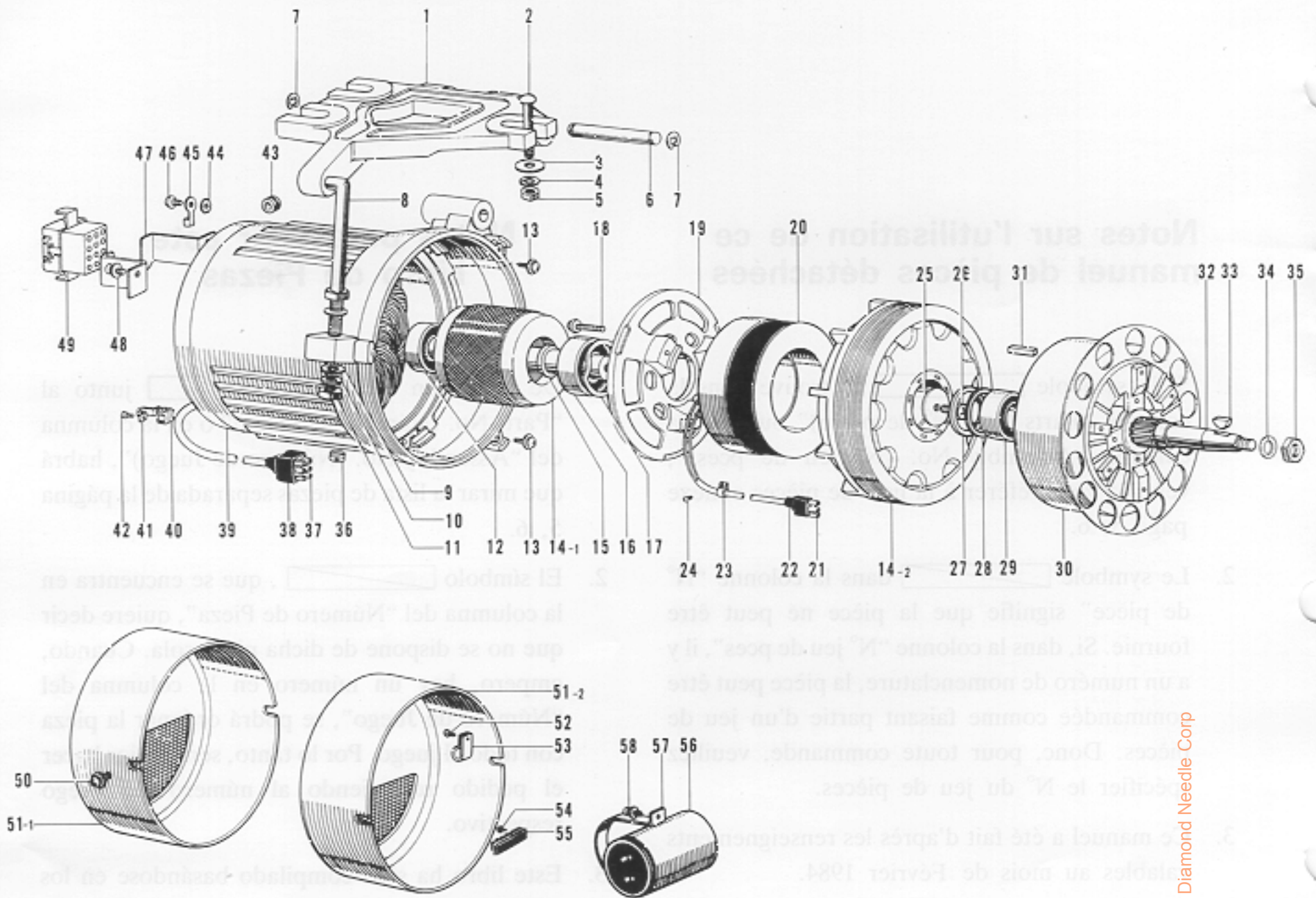


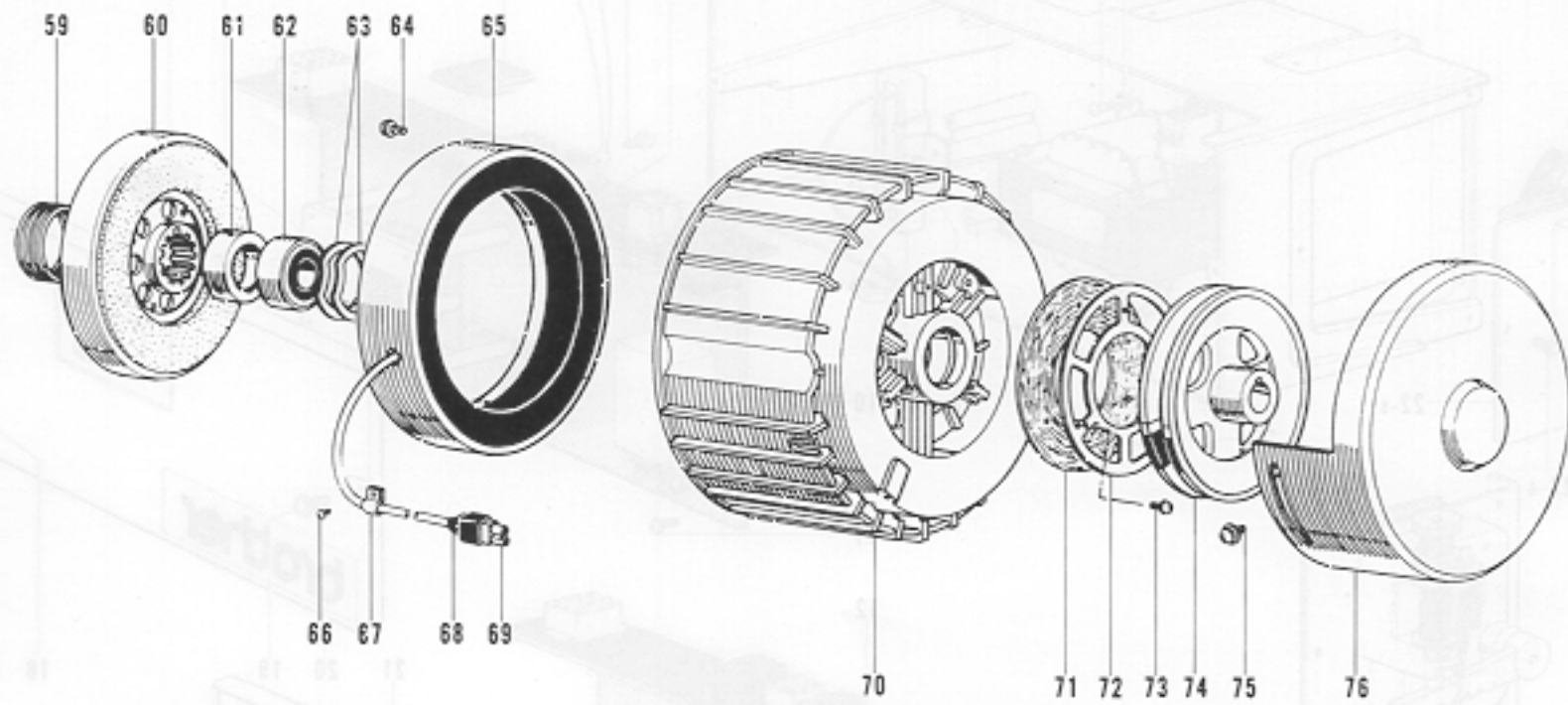
A. Motor (1) / Motors (1)
Moteur (1) / Motor (1)



Ref. No.	Name of Parts	Q'ty	Parts No.	Assembly No.	Ref. No.	Name of Parts	Q'ty	Parts No.	Assembly No.
1	Base	1	S02101-001		32	Clutch Shaft (taper)	1	S02133-001	
2	Mounting Bolt M8 x 70	3	S02102-001		33	Woodruff Key 4 x 13	1	S02134-001	
3	Wide-Rimmed Washer	3	S02103-001		34	Spring Washer 10	1	S02110-001	
4	Spring Washer 8	3	S02104-001		35	Nut M10 x 1	1	S02135-001	
5	Nut M8	3	S02105-001		36	Protective Bushing 6.3 x 4.5	1	S02136-001	
6	Base-Pin	1	S02106-001		37	Connector 3191-06R1 (white)	1	S02137-001	
7	E-Ring 9	2	S02107-001			Connector 3191-06R1-BU (Blue)	1	S02138-001	
8	Adjusting Bolt	1	S02108-001			Connector 3191-06R1-BL (Black)	1	S02139-001	
9	Special Washer	2	S02109-001		38	Nylon Cap	1	S02140-001	
10	Spring Washer 10	1	S02110-001		39	Frame & Stator Assembly	1		
11	Nut M10	2	S02111-001		40	Protective Bushing (Standard)	1	S02142-001	
12	Shielded Ball Bearing #6203	1	S02112-001			Protective Bushing (1φ Pual Voltage)	1	S02143-001	
13	Fitting Screw	3	S02113-001		41	Fittings	1	S02144-001	
14- 1	Rotor (with Shaft)	1		A-14	42	P-Screw M4 x 0.7 x 4	2	S02145-001	
14- 2	Drive-Member Assembly	1		Rotor Assembly	43	Protective Bushing 6.3 x 4.5	1	S02136-001	
15	Spacer	1	S02116-001		44	Toothed Lock Washer B4	1	S02146-001	
16	Shielded Ball Bearing #6204	1	S02117-001		45	Terminal 1.25-F4	2	S02147-001	
17	Preload Spring	1	S02118-001		46	P-BS-Screw M4 x 0.7 x 8	1	S02148-001	
18	P-Screw with SW M5 x 0.8 x 18	3	S02119-001		47	Adapter	1	S02149-001	
19	Middle Bracket	1	S02120-001		48	P-Screw with SW & PW M4 x 0.7 x 8	2	S02158-001	
20	Clutch Coil Assembly	1	S02121-001		49	Reverse Rotation Socket	1	S02150-001	
21	Connector 3191-03R1	1	S02122-001		50	P-Screw with SW & PW M4 x 0.7 x 8	2	S02158-001	
22	Nylon Cap	1	S02123-001		51- 1	End Cover (Standard Type)	1	S02151-001	
23	Nylon Clip Hp-4N	1	S02124-001		51- 2	End Cover (Dual Voltage Type)	1	S02152-001	
24	P-Screw M4 x 0.7 x 8	1	S02125-001		52	P-Screw M4 x 0.7 x 8	1	S02125-001	
25	Wide-Rimmed Washer	1	S02126-001		53	Nylon Clip HP-5N	1	S02153-001	
26	P-Screw with SW M6 x 14	1	S02127-001		54	P-Screw with SW & PW M4 x 0.7 x 16	2	S02154-001	
27	Washer t 1.0	1	S02128-001		55	Terminal Block TE-K2-6	1	S02155-001	
28	Washer t 0.25	a few	S02129-001		56	Capacitor 25μF 230WV	1	S02156-001	
29	Shielded Ball Bearing #6302	1	S02130-001		57	Adapter Plate	1	S02157-001	
30	Driven-Member Assembly	1	S02131-001		58	P-Screw with SW & PW M4 x 0.7 x 8	2	S02158-001	
31	Key 5 x 5 x 20	1	S02132-001						

From the library of: Diamond Needle Corp

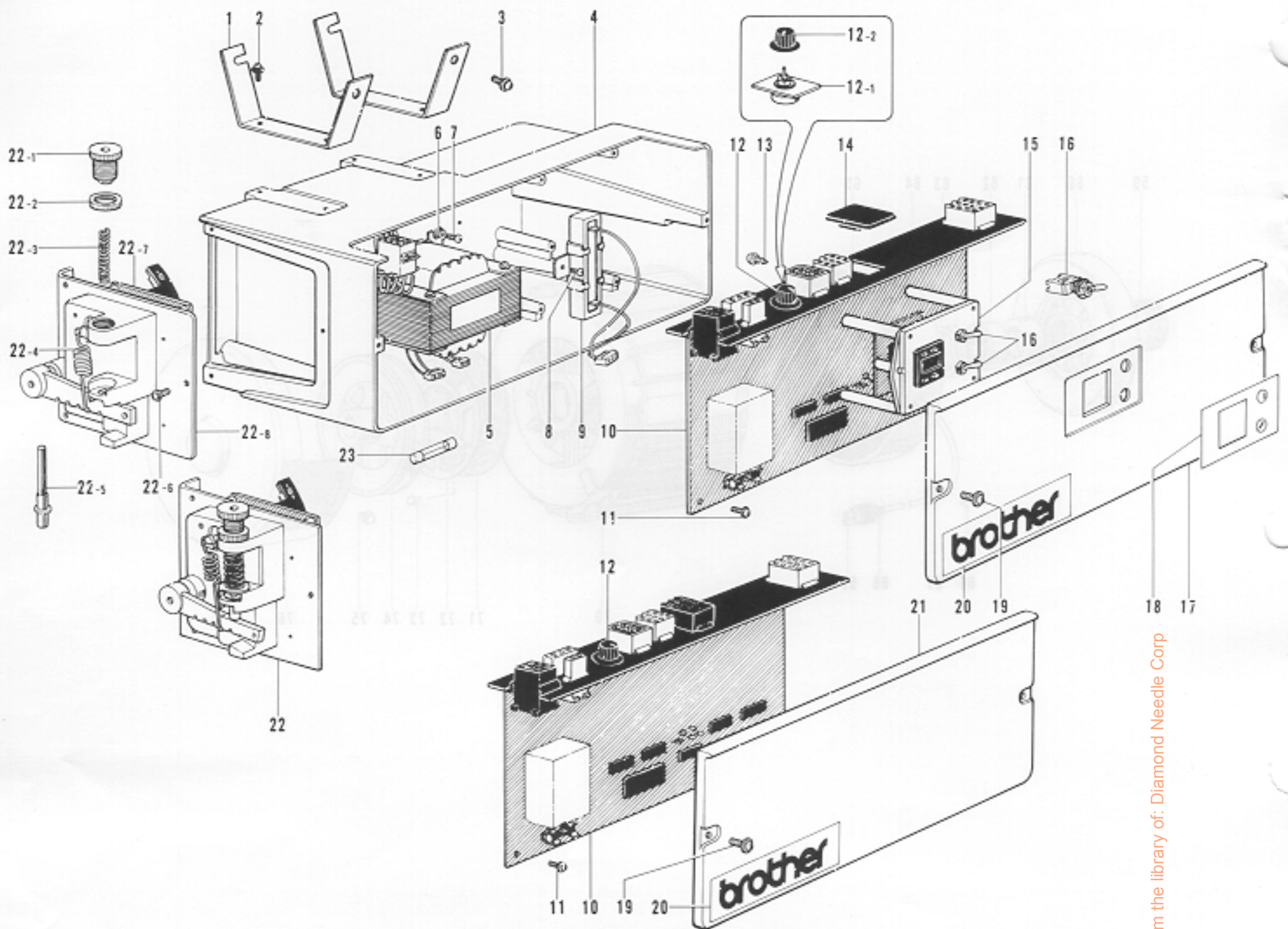
A. Motor (2) / Motors (2)
 Moteur (2) / Motor (2)



From the library of: Diamond Needle Corp

Ref. No.	Name of Parts	Q'ty	Parts No	Assembly No.	Ref. No	Name of Parts	Q'ty	Parts No.	Assembly No.
59	Coil Spring	1	S02159-001		68	Nylon Cap	1	S02166-001	
60	Armature (linning)	1	S02160-001		69	Connector 3191-02R1	1	S02167-001	
61	Cap	1	S02161-001		70	Load Side Bracket	1	S02168-001	
62	Shielded Ball Bearing	1	S02162-001		71	Filter	1	S02169-001	
63	Preload Spring	2	S02163-001		72	Filter Keeping Plate	1	S02170-001	
64	Fitting Screw	3	S02113-001		73	Tap Screw M4 x 0.7 x 8	3	S02165-001	
65	Core Assembly	1	S02164-001		74	Pully (taper)	1		
66	Tap Screw M4 x 0.7 x 8	1	S02165-001		75	P-Screw with SW & PW M4 x 0.7 x 8	2	S02158-001	
67	Nylon Clip 3P-4N	1	S02124-001		76	Belt Cover	1	S02171-001	

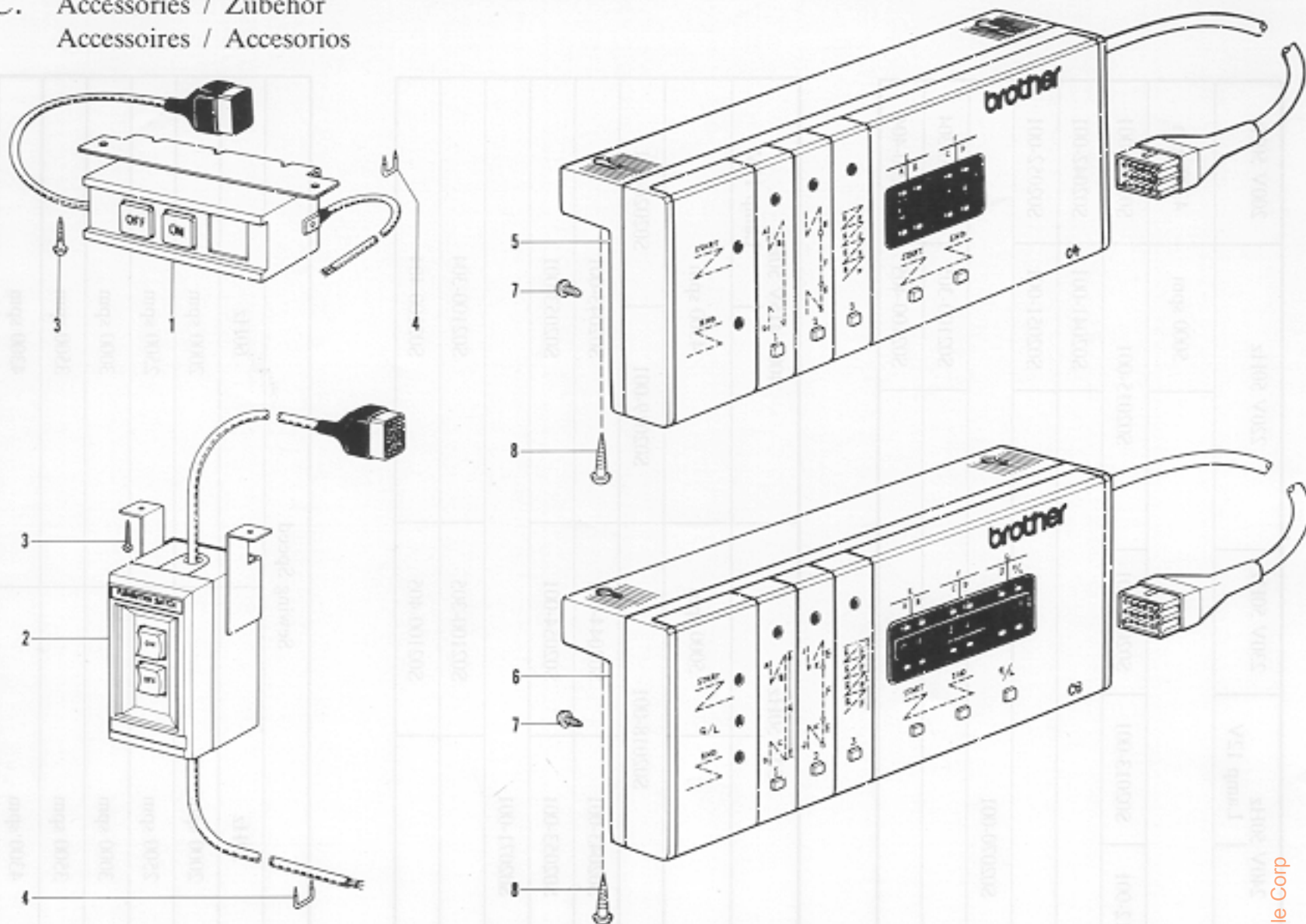
B. Control box / Schaltkasten
Boîtier de contrôle / Caja de controles



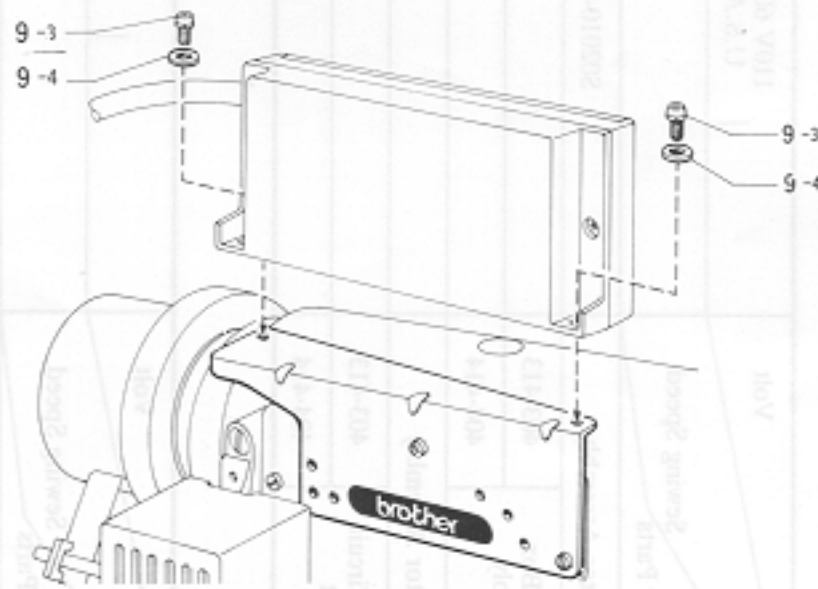
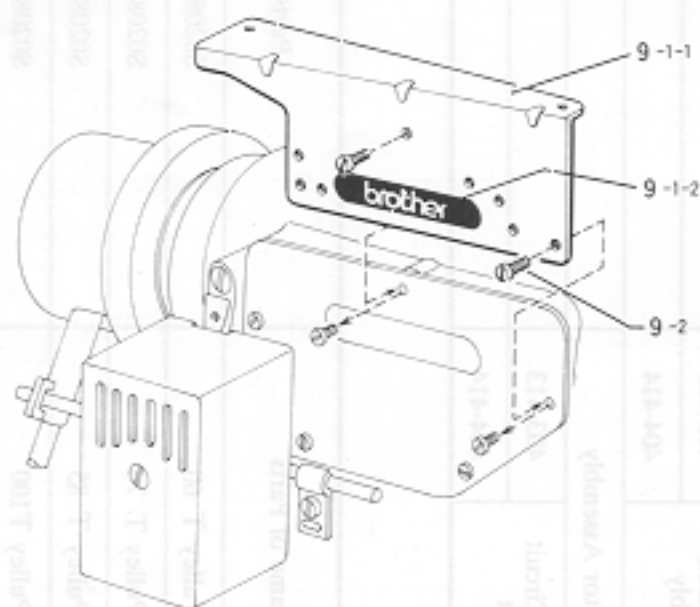
From the library of: Diamond Needle Corp

Ref. No.	Name of Parts	Q'ty	Parts No.	Assembly No.	Ref. No	Name of Parts	Q'ty	Parts No.	Assembly No.
1	Mounting Plate	2	S02173-001		13	Top Screw M3 x 10	4	S02184-001	
2	P-Screw with SW & PW M5 x 0.8 x 12	4	S02174-001		14	Rubber Bushing	1	S02185-001	
3	Fitting Screw	4	S02113-001		15	Control Circuit Unit (F)	1	S02186-001	
4	Box	1	S02175-001		16	Switch Assembly	1	S02187-001	
5	Transformer Assembly 100/200 V	1	S02176-001		17	Cover (MDS-403, 413)	1	S02188-001	B-10 ~ B-21 Control Circuit Unit
	Transformer Assembly 110/220/240 V	1	S02177-001		18	Name Plate (MDS-403, 413)	1		
	Transformer Assembly 220/380/415 V	1	S02178-001		19	P-Screw with SW & PW M4 x 0.7 x 10	2	S02190-001	
6	Washer 4	4	S02179-001		20	Name Plate	1		
7	Top Screw M4 x 0.7 x 8	4	S02165-001		21	Cover (MDS-404, 414)	1	S02192-001	
8	Top Screw M4 x 0.7 x 8	1	S02165-001		22- 1	Adjusting Bolt	1	S02194-001	B-22 Lever Parts Assembly S02193-001
9	Resistor Assembly	1	S02180-001		22- 2	Special Nut	1	S02195-001	
10	Control Circuit Unit A	1			22- 3	Coil Spring	1	S02196-001	
11	P-Screw with SW & PW M4 x 0.7 x 8	5	S02158-001		22- 4	Coil Spring	1	S02197-001	
12- 1	Variable Resistor	1		B-12 Variable Resistor Assembly S02181-001	22- 5	Pin	1	S02198-001	
12- 2	Knob	1	S02183-001		22- 6	P-Screw with SW & PW M5 x 0.8 x 12	3	S02174-001	
					22- 7	Lever Parts Base	1		
					22- 8	Lever Parts Unite	1		
					23	Fuse 8A	1	S02201-001	

C. Accessories / Zubehör
Accessoires / Accesorios



Ref. No.	Name of Parts	Q'ty	Parts No.	Assembly No.	Ref. No.	Name of Parts	Q'ty	Parts No.	Assembly No.
1	Switch Assembly (1 Phase Standard 3m)	1	S02060-001		2	Switch Assembly with OCR 3 Phase 220V 3.5m	1	S02067-001	
	Switch Assembly (1 Phase 110V Taiwan 3m)	1	S02061-001			Switch Assembly with OCR 3 Phase 415V 3.5m	1	S02068-001	
	Switch Assembly (1 Phase 110/220V Korea 3m)	1	S02062-001		3	Wood Screw 4.1 x 16	2	S02202-001	
	Switch Assembly (1 Phase 110V Canada 4.3m)	1	S02063-001		4	Staple	5	S02203-001	
	Switch Assembly (3 Phase Standard 3.5m)	1	S02064-001		5	Control Switch Panel LD-C4-BR	1	S02004-001	
	Switch Assembly (3 Phase 220V 4.3m)	1	S02065-001		6	Control Switch Panel LD-C6-BR	1	S02006-001	
	Switch Assembly (3 Phase 110V 3m)	1	S02066-001		7	P-Truss Tap Screw 4 x 10	2	S02204-001	
2	Switch Assembly with OCR 1 Phase 110V 3m	1	S02066-001		8	Wood Screw 4.1 x 16	2	S02205-001	



OPTION PARTS / SONDERZUBEHÖR
PIÈCES EN OPTION / PIEZAS OPCIONALES

Ref. No.	Name of Parts	Q'ty	Parts No.	Assembly No.
9-1-1	Switch Panel Attaching Plate	1	S02208-001	C-9-1 Attaching Plate Assembly S02207-001
9-1-2	Name Plate	1		
9-2	Screw 357 - 40 x 10	2	062671-012	C-9 Switch Panel Attaching Plate Assembly S02206-001
9-3	Screw 4 x 10 D	2	215080-001	
9-4	Washer 4	2	025040-135	

(Maximum Sewing Speed 2000 spm)

1 Phase

Ref No	Name of Parts	Sewing Speed		110V 60Hz U.S.A.		Canada	110 / 220V 60Hz	240V 50Hz Lamp 12V	230V 50Hz	220V 50Hz	200V 50Hz	
		2000 spm										
A-1~A-76	Motor Assembly			S02010-001			S02011-001	S02012-001	S02013-001	S02014-001	S02015-001	S0216-001
B-1~B-23	Control Box Assembly	403-413					S02045-001				S02046-001	
		404-414					S02055-001				S02056-001	
A-14	Rotor Assembly							S02070-001				
B-10 ? B-21	Control Circuit Unit	403-413					S02100-307					
		404-414					S02100-407					

3 Phase

Ref No	Name of Parts	Sewing Speed		220V 60Hz U.S.A.		Canada	380V 50Hz	400 / 415V 50Hz Lamp 12V		
		2000 spm								
A-1~A-76	Motor Assembly			S02017-001			S02018-001	S02019-001	S02020-001	
B-1~B-23	Control Box Assembly	403-413			S02045-001				S02047-001	
		404-414			S02055-001				S02057-001	
A-14	Rotor Assembly							S02071-001		
B-10 ? B-21	Control Circuit Unit	403-413					S02100-307			
		404-414					S02100-407			

From the Diamond Needle Corp

INDEX \ INDICE
INDEX \ AEPXEHU12